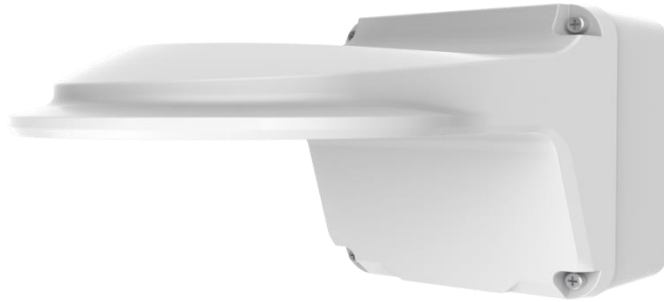


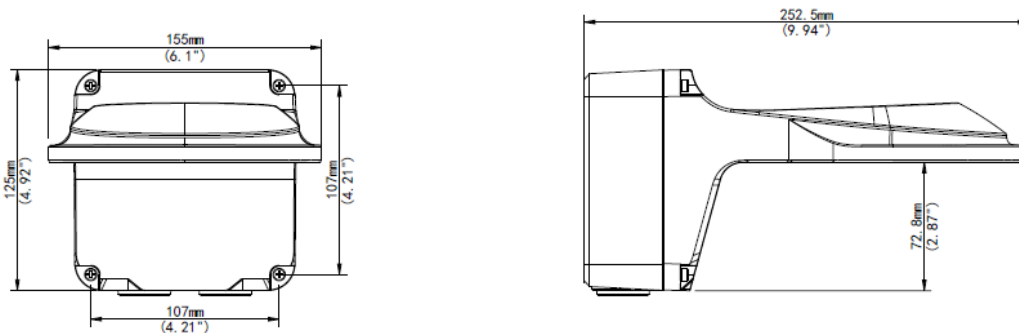
TR-JB07/WM04-IN 4-inch Fixed Dome Outdoor Wall Mount

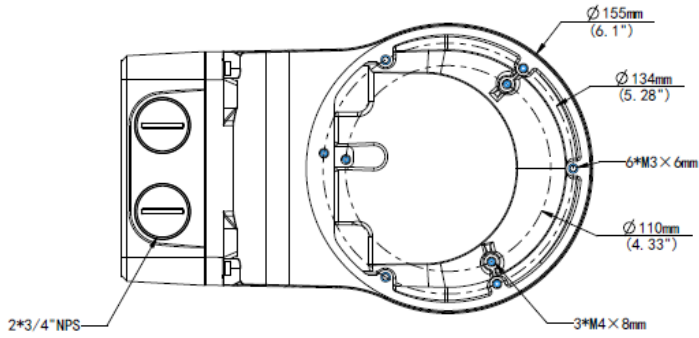


Specifications

Bracket	TR-JB07/WM04-IN
Application	Outdoor, wall installation for 4-inch fixed dome
Dimensions	253mmx125mmx125mm (10" x4.9" x4.9")
Weight	0.96kg(2.1lb)
Material	Aluminum alloy

Dimensions



**Zhejiang Uniview Technologies Co.,Ltd.**

South Tower, Building 10, Wanlun Science Park, 88 Jiangling Road, Hangzhou, P.R.China 310051

Email: overseasbusiness@uniview.com; globalsupport@uniview.com

<http://www.uniview.com>

©2015 Zhejiang Uniview Technologies Co.,Ltd. All rights reserved.

*Product specifications and availability are subject to change without notice.